



**WELLVALVE**

**WBV71LT**  
**Wafer butterfly valve**

**APPLICATION**

WBV71LT Butterfly valves are intended for ON/OFF or control use in fluid transfer circuits.

**Area of**

Area of use: water supply, water treatment, pumping, irrigation, industry, HVAC.

**Fluids**

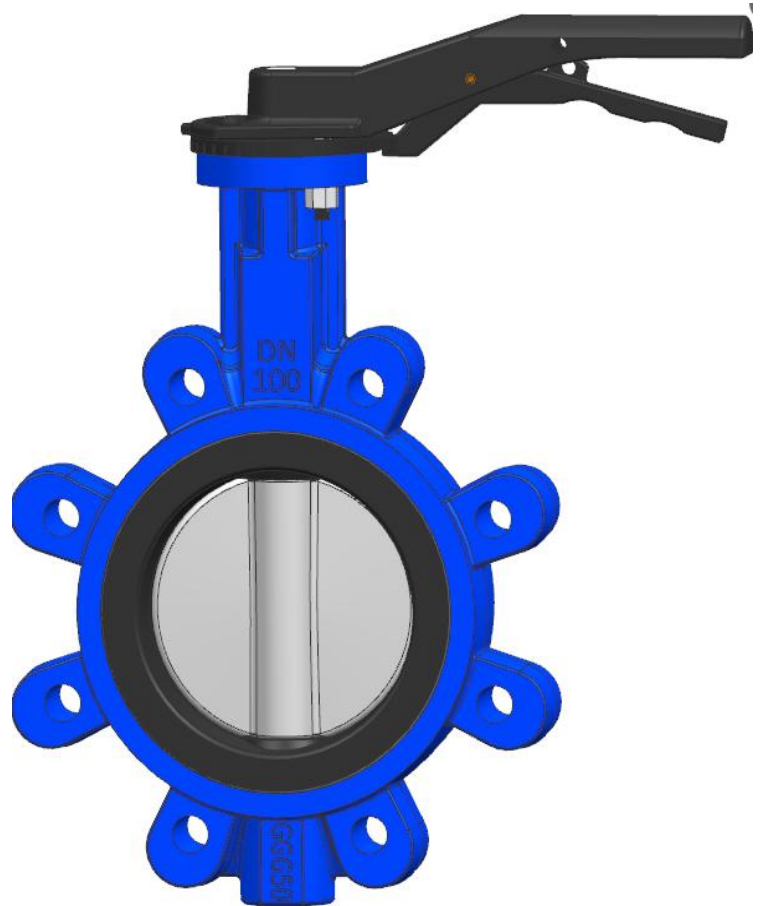
Cold water, hot water, wastewater, liquid discharges, etc.

**Contraindications**

Use on steam is strongly discouraged.

**GENERAL CHARACTERISTICS**

- Range: from DN40 to DN300.
- Design according to standard NF EN 593.
- Removable wafer type with smooth centering lugs
- Sealing in both directions of piping circulation.
- One-piece, padlockable handle: notched sector ensuring 10 handle adjustment positions
- Body coated with epoxy paint protection against corrosion
- Raised neck compatible with pipe insulation
- Soft sleeve insures a perfect seal.
- Disc profiled and reduced in thickness
- Low operating torque.
- Stem in two parts couples to the disc using a square.
- Reduced head losses.
- Standardized ISO 5211 upper flange for easy assembly of actuators.



**STANDARDS**

<b>Design</b>	Manufacture according to the requirements of the European directive 2014/68/UE «Equipment under pressure»: modulate H.
<b>Face to face</b>	Face to face according to standards NF EN 558-1 serie 20, ISO 5752 serie 20, DIN 3202
<b>Connection*</b>	Mounting with flanges : ISO PN10/16 from DN40 to DN150 and PN16 from DN200 to DN300 in accordance with the standards EN1092-2, BS450,AISI B16.1-5.
<b>Tests</b>	Pressure test according to standards EN12266-1, DIN 3230 and ISO 5208: Body: 24 bar                      Seat: 17.6 bar

**WELLVALVE China**

**Add:Taiping Industrial Zone, Lianyungang City,China Tel:+86 518 8520 2345 Email:wellvalve@wellvalve.com**

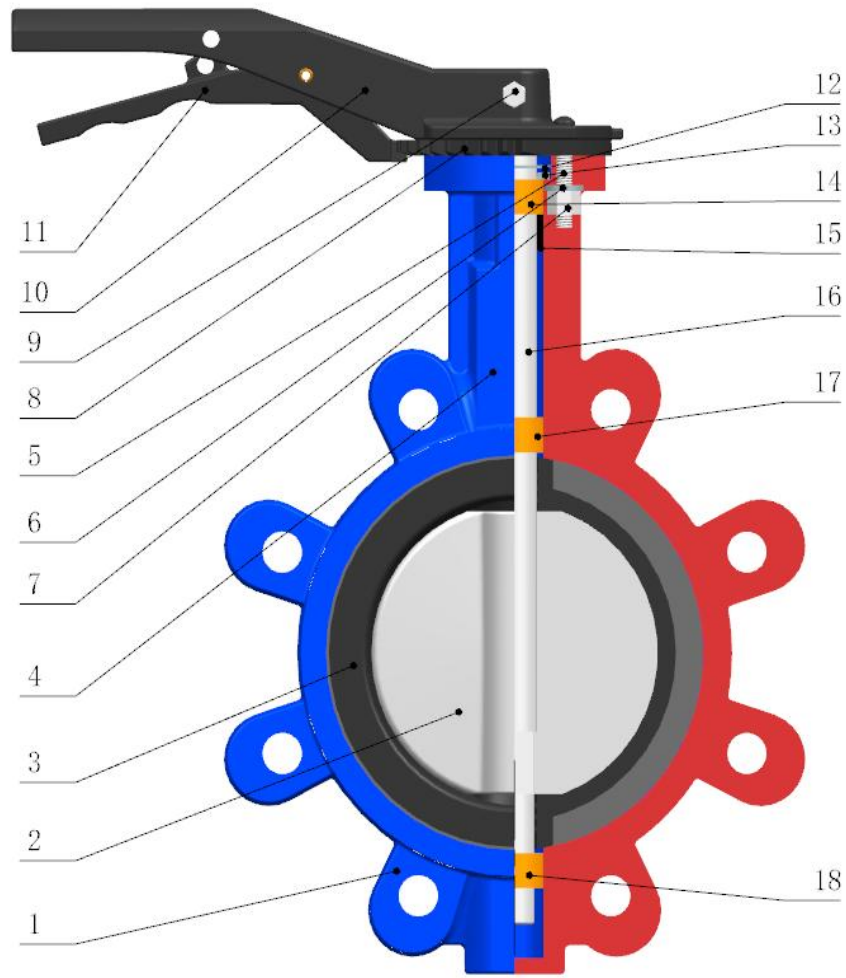
**www.wellvalve.com**



**WELLVALVE**

**WBV71LT**  
**Wafer butterfly valve**

**CONSTRUCTION**



Pos.	Q-ty	Description	Material	Equivalences			Epoxy coating
				DIN	ASTM	BS	
1	1	Body	Ductile iron EN-GJS-500-7	GGG50	A536 65-50-7	EN-JS1050	RAL5005,250µm
2	1	Disc	Ductile iron EN-GJS-500-7	GGG50	A536 65-50-7	EN-JS1050	
3	1	Sleeve	EPDM / NBR				
4	1	Nameplate	Stainless steel 304/A2	X5CrNi 18 10	A182 AISI 304	1449-2-304 S15	
5	1	Screw	Stainless steel 304/A2	X5CrNi 18 10	A182 AISI 304	1449-2-304 S15	
6	2	Nut	Stainless steel 304/A2	X5CrNi 18 10	A182 AISI 304	1449-2-304 S15	
7	2	Washer	Stainless steel 304/A2	X5CrNi 18 10	A182 AISI 304	1449-2-304 S15	
8	2	Notched sector	Polyamide-imide PAI				
9	1	Set screw	Stainless steel 316/A4	X5CrNiMo 17.12.2			
10	1	Handle	Ductile iron EN-GJS-500-7	GGG50	A536 65-50-7	EN-JS1050	Dark black RAL9005
11	1	Trigger	Ductile iron EN-GJS-500-7	GGG50	A536 65-50-7	EN-JS1050	Dark black RAL9005
12	1	Spring clip	Carbon spring steel	DIN471			
13	1	Gsket	Stainless steel 304/A2	X5CrNi 18 10	A182 AISI 304	1449-2-304 S15	
14	2	Upper bushing	PTFE				
15	1	O ring	EPDM				
16	1	Stem	Stainless steel 420	X20Cr13	A276 AISI 420	970-1 420S37	
17	1	Upper bushing	PTFE				
18	1	Upper bushing	PTFE				

**WELLVALVE China**

Add:Taiping Industrial Zone, Lianyungang City,China Tel:+86 518 8520 2345 Email:wellvalve@wellvalve.com

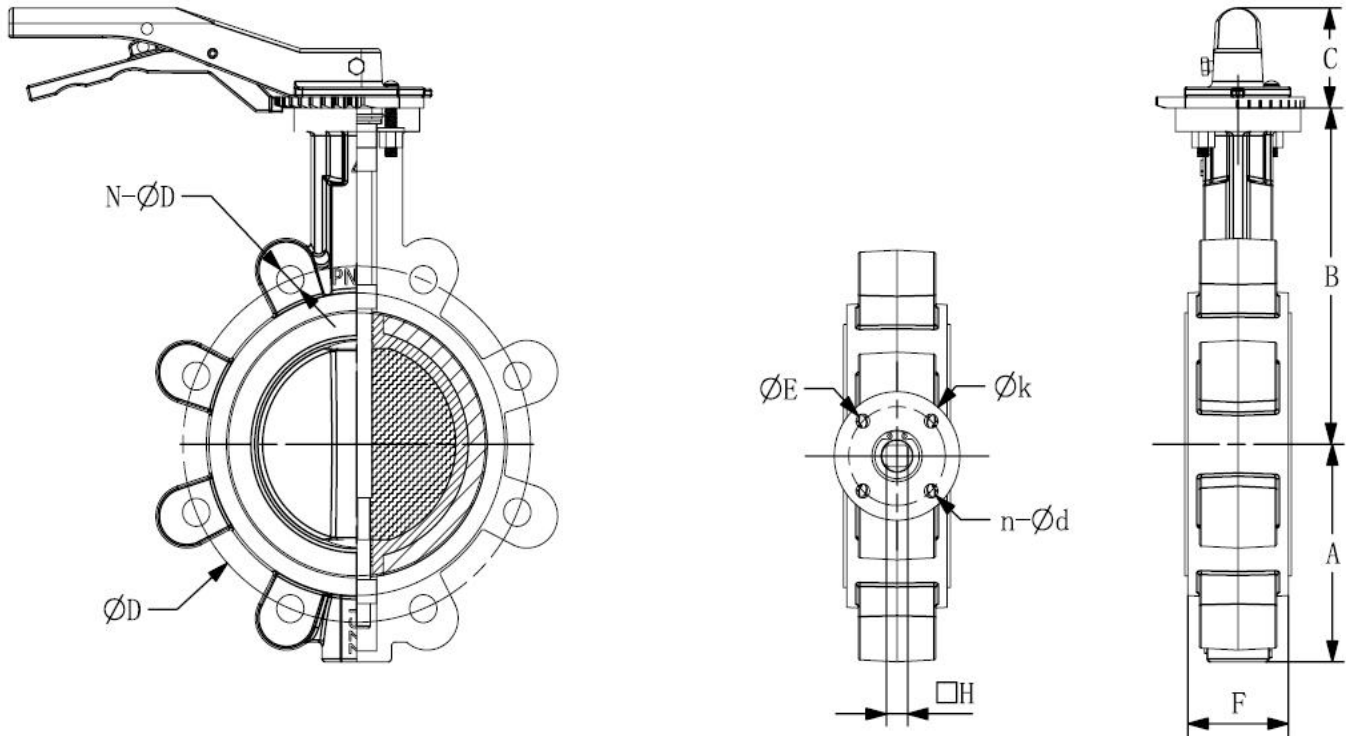
[www.wellvalve.com](http://www.wellvalve.com)



**WELLVALVE**

**WBV71LT**  
**Wafer butterfly valve**

**DIMENSIONS**



**Structure**

DN	A	B	C	Øk	n-Ød	□H	ØE	ØD	N-ØD	Torque	Weight
mm										(Mu)	(Kg)
40	60	102	75	65	4-8	9*9	50	110	4-M16	10	1.95
50	76	128	78	65				125		16	2.55
65	89	140	78	65				145		17	2.98
80	95	148	78	65				160		24	4.3
100	114	165	78	65	11*11	14*14	70	180	8-M16	41	5.5
125	127	175	98	90	210			63	7.6		
150	139	199	98	90	4-10			240	8-M20	102	9.48
200	177	220	93	90	17*17			295	8-M20/12-M20	190	17.6
250	203	251	93	125	4-12	22*22	102	355	12-M20/12-M24	315	25.46
300	242	288	109	125				410		480	38

\* Torque values without safety factor

**WORKING CONDITIONS**

Maximum working pressure: 16 bar

(6 bar for compressed air)

Maximum vacuum pressure: -0.8 bar for 10 minutes

(vacuum tests performed in laboratory, valve tested open at -0.8 bar for 10 minutes)

Maximum working temperature: -20°C / +130°C

**WELLVALVE China**

Add:Taiping Industrial Zone, Lianyungang City,China Tel:+86 518 8520 2345 Email:wellvalve@wellvalve.com

[www.wellvalve.com](http://www.wellvalve.com)