

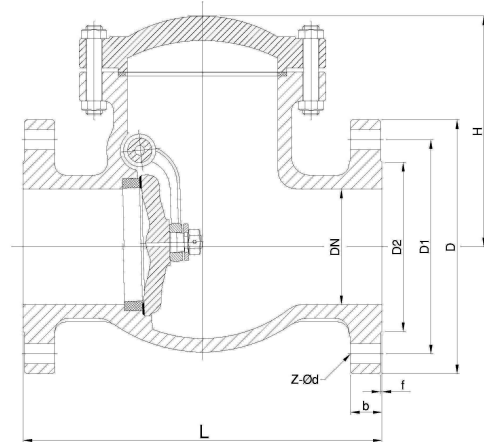


Well Valve

PN 16/10
DIN 3202/2-F6
DIN 2533
DN40...DN300



法兰旋启式止回阀 SWING CHECK VALVE(FLANGE)



TEMPERATURE/PRESSURE

°C	-10...+120	150
PN 16/10	16	13

APPLICATIONS

- Hot and cold water systems
- Fluid excluding acid

MATERIALS

PART NAME	MATERIAL
BODY	GG25/GGG40/GGG50
BONNET	GG25/GGG40/GGG50
STEM	SS
DISC	GG25/GGG40/GGG50 RUBBER COVERED
SEAT	BRONZE
GASKET	EPDM

Structure

DN	L	D	D1	D2	b	Z-φb	H	KG
40	180	150	110	88	18	4-18	130	9
50	200	165	125	102	20	4-18	140	11
65	240	185	145	122	20	4-18	142	17.5
80	260	200	160	138	22	8-18	165	21
100	300	220	180	158	22	8-18	175	27
125	350	250	210	184	24	8-18	198	45
150	400	285	240	212	24	8-18	228	61.5
200	500	340	295	268	26	8-23	245	112
250	600	395	350	320	28	12-23	302	135
300	700	445	400	370	28	12-23	365	188

Suqian Well Valve Co., Ltd

www.wellvalve.com

Email:wellvalve@wellvalve.com

TEL:+86 518 85477138 FAX:+86 518 85457833