

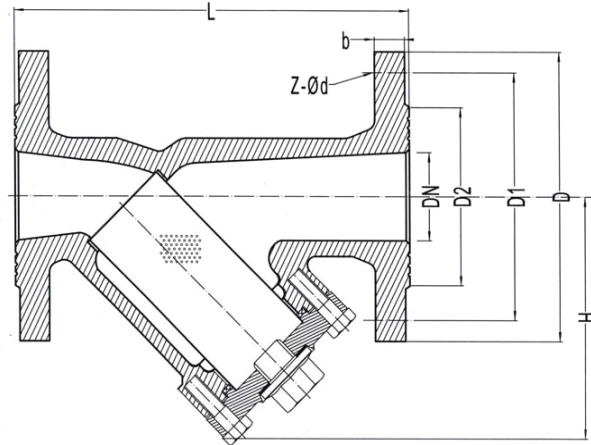


Well Valve

PN 40
DIN 3202-F1
DIN 2501
DN40...DN300



铸钢法兰过滤器
Flange Cast Steel Y-Strainer



TEMPERATURE/PRESSURE

°C	-10...+120	350	450
PN 40	40	24	17

APPLICATIONS

- Hot and cold water systems
- Fluid excluding acid

MATERIALS

PART NAME	MATERIAL
BODY	CS25
BONNET	CS25
FILTER	SS304
PLUG	CS25
GASKET	GRAPHITE

Structure

DN	L	D	D1	D2	b	Z-φb	H	KG
40	200	150	110	88	18	4-18	83	10.7
50	230	165	125	102	20	4-18	105	13.7
65	290	185	145	122	22	8-18	131	21.1
80	310	200	160	138	24	8-18	150	27.3
100	350	230	190	162	24	8-22	174	38.6
125	400	270	220	188	26	8-26	305	57.5
150	480	300	250	218	28	8-26	360	75.8
200	600	375	320	285	34	12-30	510	146
250	730	450	385	345	38	12-33	540	206
300	850	515	450	410	42	16-33	630	320

Suqian Well Valve Co., Ltd

www.wellvalve.com

Email:wellvalve@wellvalve.com

TEL:+86 518 85477138 FAX:+86 518 85457833