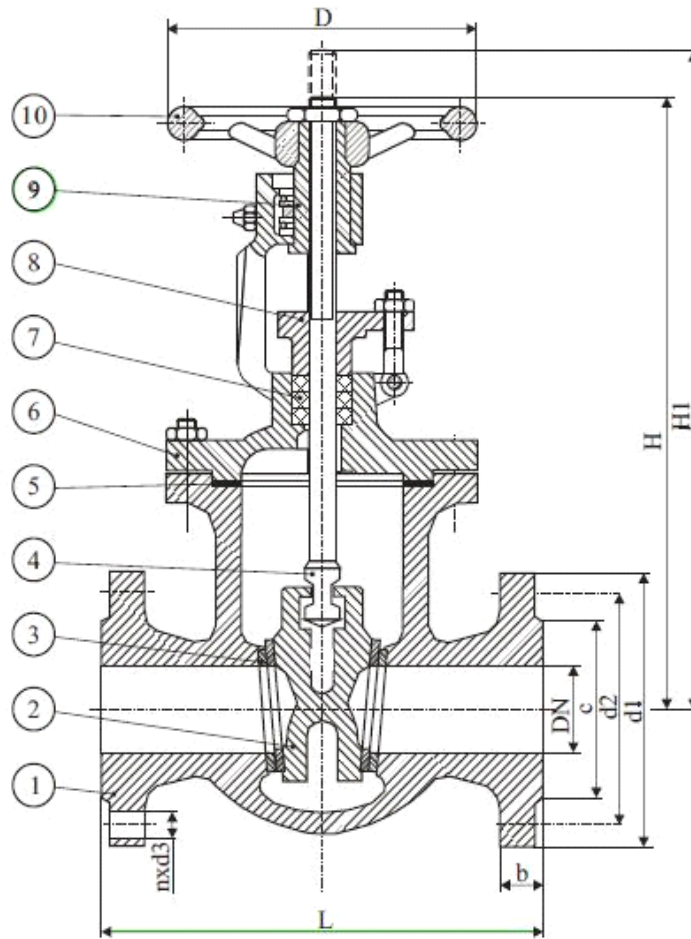




Well Valve

PN 25
 DIN 3201/1-F5
 DIN 2501
 DN40...DN300

铸钢明杆法兰硬密封闸阀(DIN)
 CAST STEEL RISING STEM WEDGE GATE VALVE(DIN)



TEMPERATURE/PRESSURE			
°C	-10...+120	300	425
PN	25	17	12

APPLICATIONS
•Hot and cold water systems
•Fluid excluding acid

MATERIALS		
1	BODY	WCB
2	WEDGE	WCB
3	CLACK SEAT	SS304
4	STEM	1Cr13
5	GASKET	GRAPHITE+SS304
6	BONNET	WCB
7	PACKING	GRAPHITE
8	PACKING BUSHING	1Cr13
9	STEM NUT	BRASS
10	HANDWHEEL	35#

Structure

DN	L	d1	d2	c	b	nxd3	H	KG
40	240	150	110	88	18	4-18	340	18
50	250	165	125	102	20	4-18	350	24
65	270	185	145	122	22	8-18	430	38
80	280	200	160	138	24	8-18	462	46
100	300	235	190	162	24	8-22	510	57
125	325	270	220	188	26	8-26	615	80
150	350	300	250	218	28	8-26	660	112
200	400	360	310	278	30	12-26	820	178
250	450	425	370	335	32	12-30	1040	300
300	500	485	430	395	34	16-30	1060	420

Suqian Well Valve Co., Ltd

www.wellvalve.com Email:wellvalve@wellvalve.com TEL:+86 518 85477138 FAX:+86 518 85457833